

SMPS(Switch Mode Power Supply)

A-426, Road No.: 28, Wagle MIDC,
Wagle Estate,Thane-400604,
Maharashtra, INDIA.
MOB:+91- 80977 07496 | +91-72085 60460
Email: info@powertronindia.com
Web: www.powertronindia.com

PIPL-60W Series

60W SMPS

❖ FEATURES :

- Wide input supply range.
- Built in EMI filter, low ripple noise.
- Protection : Short circuit / Over load / Over voltage.
- 100% Full Load Burn in test.
- High efficiency ,long life and high reliability.
- Miniature size.



❖ SPECIFICATION:

MODEL NO		PIPL-1205AD	PIPL-1504AD	PIPL-2403AD	PIPL-3602AD	PIPL-4801AD
OUTPUT	DC VOLTAGE	12V	15V	24V	36V	48V
	RATED CURRENT	5.0A	4.0A	2.5A	1.6A	1.25A
	RATED POWER	60W	60W	60W	60W	60W
	RIPPLE & NOISE (max)	<1%Of Rated Voltage				
	VOLTAGE ADJ.RANGE	Fixed Type				
	VOLTAGE TOLERANCE	Rated Voltage Of +/-1%				
	LINE REGULATION	<+/-0.5%				
INPUT	LOAD REGULATION	<+/-0.5%				
	VOLTAGE RANGE	90V TO 270VAC				
	FREQUENCY RANGE	50Hz				
PROTECTION	EFFICIENCY	>85%				
	OVERLOAD	Above 105%Rated Output Power Protection Type: Constant Current, Recovers automatically after fault condition is removed.				
	OVER VOLTAGE	125% -150% Rated Output Voltage Protection type: Hiccup Mode, Recovers automatically after fault condition removed.				
INDICATIONS	LEDs	OUTPUT OK				
ENVIRONMENT	WORKING TEMP.	(-5DegC To 55DegC.)				
	WORKING HUMIDITY	20 To 90% RH Non Condensing.				
	STORAGE TEMP./HUMIDITY	(-10 To 85DegC 10 To 95%RH)				
	VIBRATION	(-10 To 500 Hz,2G,20min/Sweep,Period-1Hr,Each along X,Y,Z axes.				
SAFETY & EMC	SAFETY STANDARD	Designed To Meet UL60950-1				
	WITH STAND VOLTAGE	I/P-O/P:2KVDC,I/P-Earth:2KVDC				
	ISOLATION RESISTANCE	I/P-O/P,I/P-Earth, O/P-Earth:100MOhms/500VDC.				
	EMI & EMC	Designed To Meet EN55022,EN61000-4-2.				
OTHERS	ENCLOSURE PROTECTION	IP-20				
	COOLING	Natural cooling				
	DIMENSION(L*W*H)mm	110*100*55				
	WEIGHT	0.6Kg				
NOTE	1.All parameters NOT specially mentioned are measured at typical input, rated load and 25 Deg.c. ambient temperature. 2.Ripple & noise are measured at 20MHz of bandwidth by using a12"twisted pair-wired terminated with a 0.1uF & 47uFparallel capacitor. 3.Tolerance includes set up tolerance, line regulation and load regulation. 4.The power supply is considered a component which will be installed into final equipment .The final equipment must be recon formed that it still meets EMC directives. 5.Specifications are subject to change without prior notice due to constant improvement in design & technology.					

SMPS IDC DC Converters | Adapters | Electro Plating Rectifier | POE SMPS | Battery chargers | DC AC Converter
DC Regulator Power supply | LED Driver | Inverter | CVT | Servo controlled Voltage Stabilizer | Transformer

SMPS(Switch Mode Power Supply)

A-426, Road No.: 28, Wagle MIDC,
Wagle Estate, Thane-400604,
Maharashtra, INDIA.

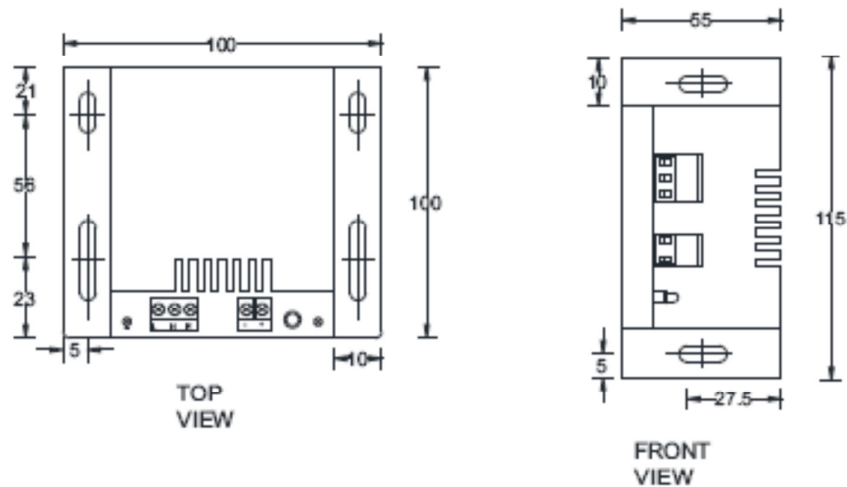
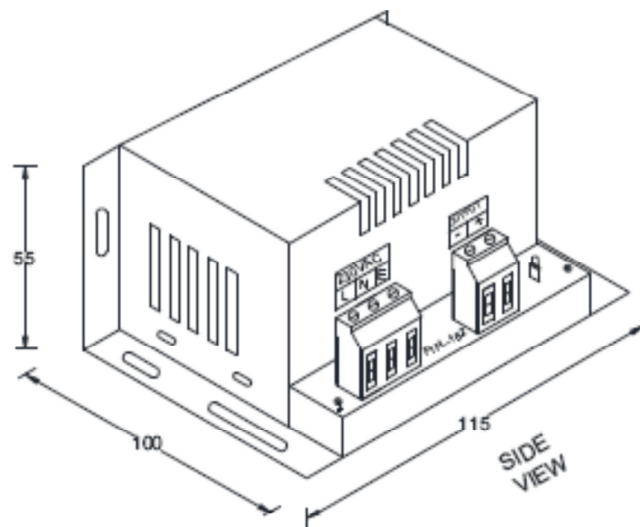
MOB:+91- 80977 07496 | +91-72085 60460

Email: info@powertronindia.com

Web: www.powertronindia.com

PIPL-60W Series

▪ Mechanical Specification



Dimension (mm) – 110*100*55